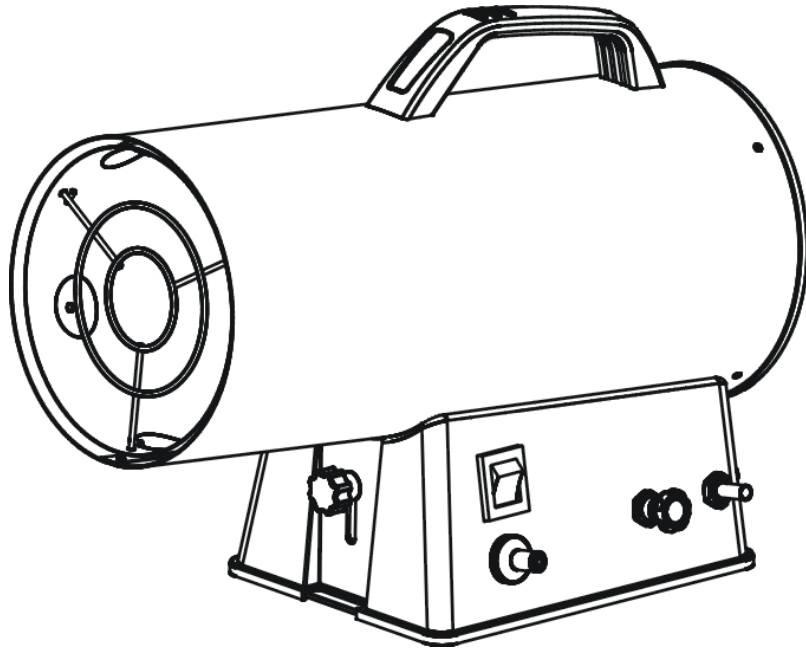




**Byggtørker 10KWA propan  
Art nr 425300  
industritilkobling**

NO      Bruksanvisning  
FI      Käyttöohje  
EN      Instruction Manual

Byggtørker  
Bruksanvisning  
Modell : ZSG101



Kjære kunde : Takk for at du valgte vårt produkt.

Vennligst les brukermanualen nøye før apparat tas i bruk. Ved rrvnturille spørsmål kontakt din nærmeste forhandler.

**Advarsel:** Sørg for tilstrekkelig ventilasjon!

Sikkerhetsavstand til brennbart materiale er min. 2,5m alle veier

## Sikkerhetsadvarsler

- 1, Bruk aldri ovnen nært brennbart materiale.
- 2, Apparatet skal bare brukes i godt ventilerte områder, utilstrekkelig forbrenning forårsaket av oksygenmangel kan føre til kullosforgiftning.
- 3, Minimumskrav ventilasjon: Når apparatet brukes inne, sørg for at rommet ikke er mindre enn 140 m<sup>3</sup> og ventilasjonsåpning ikke er mindre enn 350cm<sup>2</sup>
- 4 Hvis gasslekkasje skulle oppstå, kutt gasstilførselen og luft godt ut, (OBS: Ikke bruk utstyr som kan forårsake gnist. )
- 5, Ikke sett apparatet i kjeller eller bruk det under bakkenivå
- 6, Varmeren skal ikke rettes direkte mot gassflasken
- 7, Bruk ikke spraybokser på det stedet der varmeren brukes, gassen fra spraybokser kan føre til brann og eksplosjon.
- 8, Ikke bruk apparatet på steder med brennbart materiale (papir, trevirke, flis etc )
- 9, Blokker ikke luftinntaket og hold dette rent.
- 10, Forsøk aldri å modifisere apparatet
- 11 Dette apparatet er kun ment for oppvarming til profesjonelt bruk, bør ikke brukes til husholdnings oppvarming.

### △ OBS!

1, For å forebygge brann, ikke plasser brennbart materiale i nærheten av ovnen.

Min. avstander:

Varmeutløp (foran) 2.5M,

Luftinntak (bak) 2M ,

Topp 2M ,

Side 2M .

- 1, Under drift , sørg for at underlaget ikke overopphetes, overoppheting kan forårsake brann.
- 2 Før bruk, må du kontrollere at spenning og frekvens er i samsvar med det som er vist på typeskiltet.
- 3, Ikke bruk til oppvarming av bo - areal i husholdning
- 4, Ikke utsett apparatet for regn eller snø.
- 5, Trekk ut støpselet før rutinemessig vedlikehold.

#### Δ Rengjøring og vedlikehold

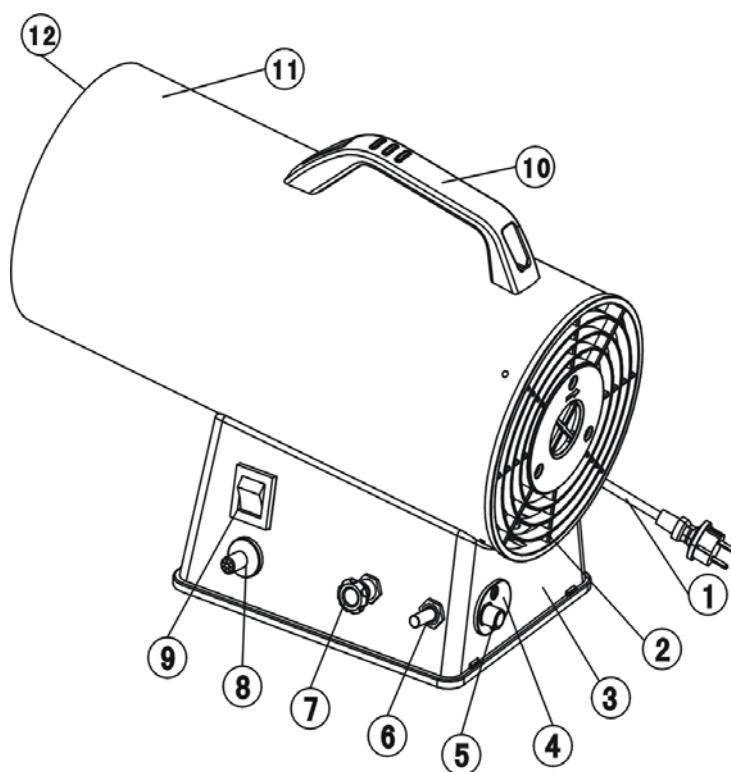
- 1 Hold enheten ren og fjern støv. Rengjør enheten minst en gang i året. Bruk fuktig klut for å rengjøre hvis det er for skittent. Generelt renhold kan gjøres med trykkluft.
- 2, La apparatet kontrolleres av kyndig personell en gang i året.
- 3 Hold apparatet langt borte fra brennbare gjenstander.
- 4 Når apparatet ikke er i bruk over lengre tid bør det rengjøres og settes bort i en støvtett pose eller eske.

Advarsel: Ikke demonter apparatet selv, kontakt leverandør, ikke reparer enheten når det er varmt, eller er i bruk.

#### Kort Innføring i produktet

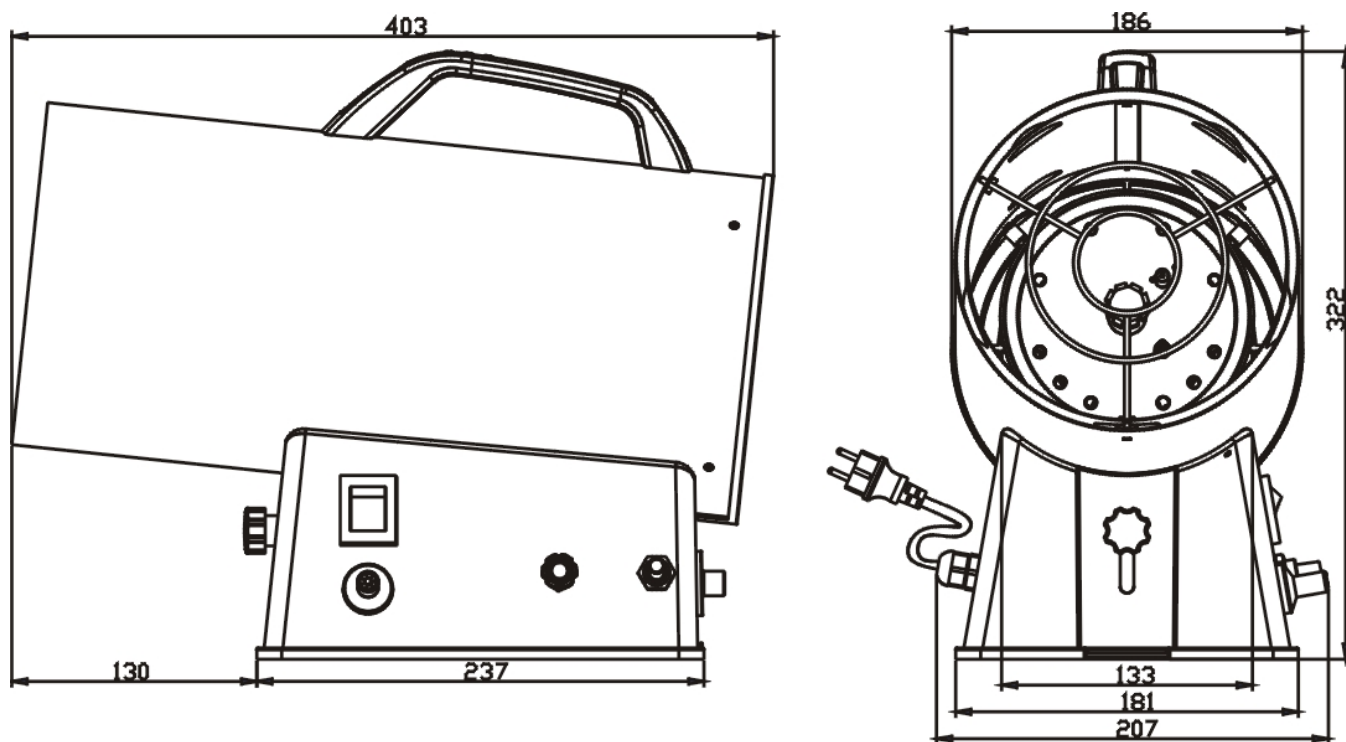
- 1 , Denne varmeren er en direkte fyrt luftvarmer , den inneholder en viftemotor for å øke luftsirkulasjonen og forbedre oksygentilførselen for å sikre effektiv gassforbrenning og energieffektivitet.
- 2, Dette produktet har en automatisk «shut off» , som stopper enheten ved evt. gasslekkasje, for høy temperatur etc.
- 3, Har reguleringsmulighet for å tilpasse varme.

Oversikt.



1. Stikkontakt
2. Vifte deksel
3. Understell/fot
4. Gassinntak
5. Beskyttelse deksel
6. Flammevakt
7. Gassregulering
8. Piezotenner
9. Hovedbryter av/på
10. Håndtak
11. Ytre deksel
12. Deksel varmluft ut.

## Dimensjoner



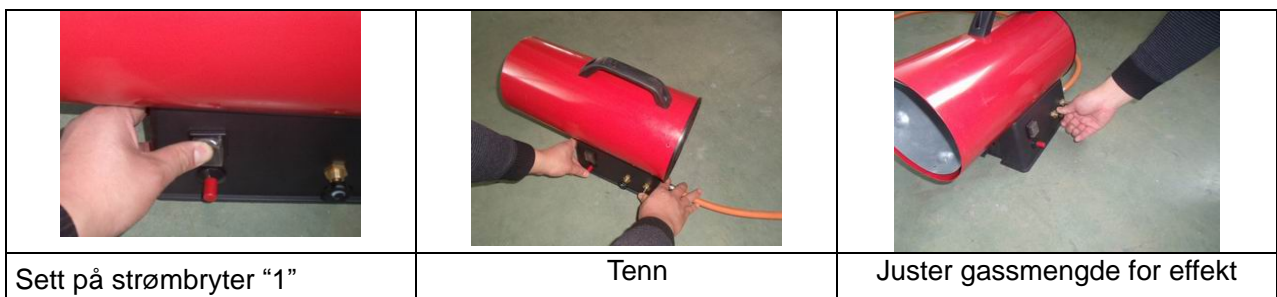
## Tekniske data

Gass kategori	Gass trykk	Volt	Motor HK/W	Max. gass forbruk	Max. Varmegj.	Max luft ut
G30-I3B/P	0.5bar	230V 50Hz	25W	0.74Kg/h	10KW	300m <sup>3</sup> /h



### Driftsinstruks

- 1: Velg en flaske som kan levere nok gass i forhold til den oppvarmingen som skal gjøres
- 2, Monter sammen alle deler, trekk til med verktøy både på apparatet og ved regulator. Foreta en tetthetskontroll.
- 3 Sett ovnen på et stabilt underlag
- 4, Åpne flaskekranen(Figur 3)
- 5, Kontroller at maskinen er riktig koblet til gassflasken og strømbryteren er i "OFF (O)" posisjon, koble strømpluggen i stikkontakten, slå på strømbryteren (sette strømbryteren på " ON (1) "stilling). (figur 4)
6. Når viften har oppnådd vanlig turtall trykkes den blanke knappen inn, etter noen sekunder trykker du samtidig på den røde knappen til flammen antennes. Den blanke knappen må holdes inne i minst ti sekunder etter tenning.
- 7 Drei innstillingsknappen for å regulere effekten



1 , Når du bruker apparatet i henhold til ovennevnte prosedyrer og Det ikke vil tenne etter tre gjentatte forsøk vil gasskonsentrasjonen være såpass høy at rommet bør ventileres godt og man bør vente med flere forsøk på å tenne.

Det vil være eksplosjonsfare ved såpass høye konsentrasjoner.  
Hvis enheten ikke gir gnis kontakt din forhandler.

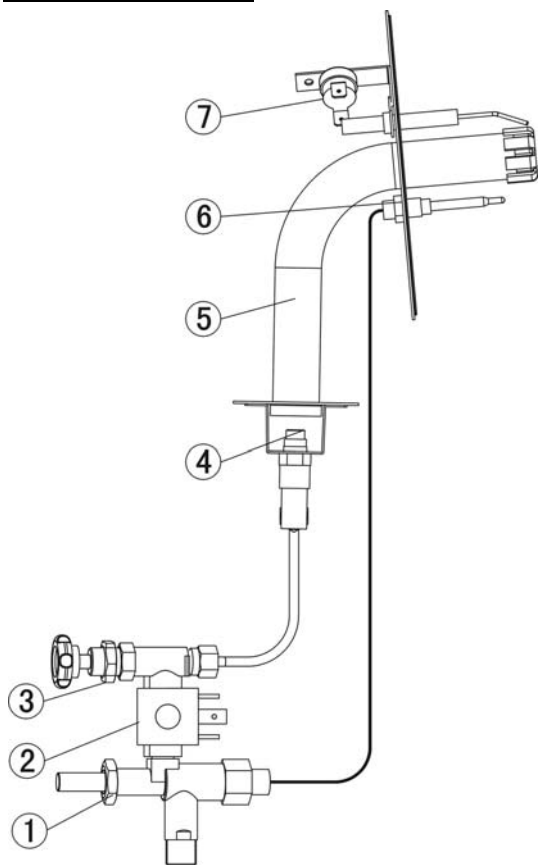
2, Påse at slangen ikke kommer i klem eller kan skades av gjenstander der den er plassert.

3, Påse at det benyttes korrekt trykkregulator i henhold til typeskiltet på varmeren. Er du tvil rådfør deg med din forhandler. For høyt trykk vil medføre livsfare med mulig død eller invaliditet som utfall.

4 Slangen bør ikke være lengre enn 1,5M, for spesielle installasjoner kontakt din forhandler for råd.



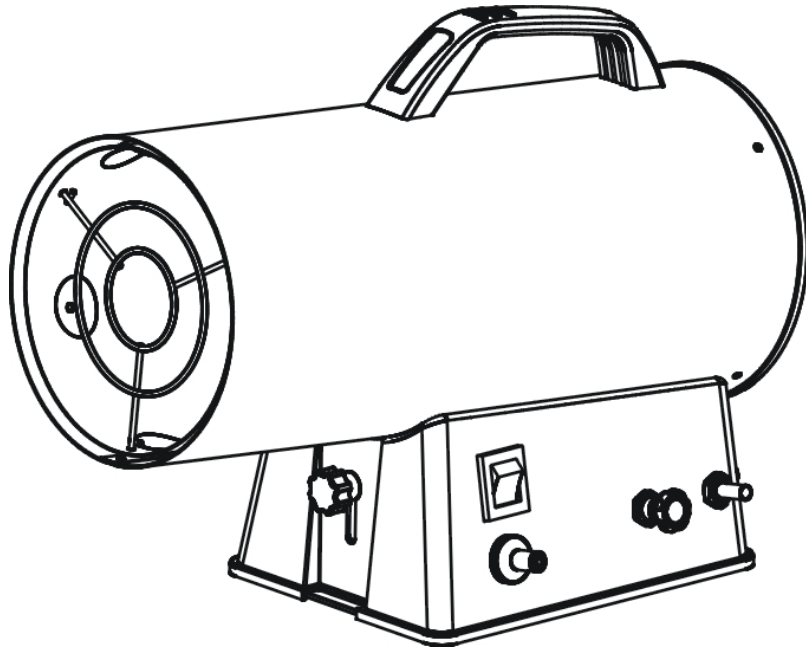
## Gas Supply Circuit



Item	Parts name
1	Flammevakt
2	Elektromagnetisk ventil
3	Justeringsventil
4	Gassdyse
5	Brenner
6	Tennsikring føler
7	Termostat

Problem	Mulig Årsak	Løsning
Vifte går ikke	<ol style="list-style-type: none"> <li>1. Ingen strøm i kontakt/tilkobling</li> <li>2. Viftebladene kommer i kontakt med viftehuset</li> <li>3. Viftebladene er deformert</li> <li>4. Viftemotor er ødelagt</li> </ol>	<ol style="list-style-type: none"> <li>1. Sjekk tilkobling og kabler</li> <li>2. Se etter skader og gjenstander som kan stoppe viften</li> <li>3. Erstatt viftebladene eller rett de ut.</li> <li>4. Erstatt viftemotor</li> </ol>
Varmer vil ikke tenne	<ol style="list-style-type: none"> <li>1. Ingen gnist</li> <li>2. Feil avstand for gnist på elektrode</li> </ol>	<ol style="list-style-type: none"> <li>1. Se at kabel sitter som den skal til elektrode</li> <li>2. Juster avstand 0.28" (7mm)</li> </ol>
Varmeren stopper av seg selv	<ol style="list-style-type: none"> <li>1. Temperatur blir for høy</li> <li>2. Ødelagt tennsikring</li> <li>3. Ødelagt "flame out" sikring</li> <li>4. Støv og skitt i varmer</li> </ol>	<ol style="list-style-type: none"> <li>1. Sjekk plassering av varmer og ventilasjon</li> <li>2. Erstatt sikring</li> <li>3. Erstatt "flame out" sikring</li> <li>4. Rengjør apparatet</li> </ol>

Direct gas fired air heater  
User's manual  
Model : ZSG101



Dear customer : thank you very much for choosing our products, it's our pleasure to offer you our products and service. Please read the user manual carefully before using the appliance and operate following the operation instructions in this manual, in order to prevent fire or other accidental danger. Keep this manual in a safe place for future reference. Any understanding problem relates to this manual please contact your dealer.

**Warning:** During operation always provide adequate ventilation and keep a 2.5 m safety distance away from combustible articles.

## Table of Contents

1、 Safety Warnings .....	2、 3
2、 Brief Introduction of Products .....	4
3、 Overview of Appliance .....	4
4、 Dimensions .....	5
5、 Technical Data .....	5
6、 Operation Instructions .....	6、 7
7、 Gas Supply Circuit .....	8
8、 Electric Circuit .....	9
9、 Explosions Drawing .....	10
10、 Parts Name .....	11
11、 Requires a Hose and Regulator .....	12
12、 Maintenance of The Appliance .....	12
13、 Warning of Local Regulations .....	12
14、 Troubleshooting Guide.....	13

### **safety warnings**

For your own and other's safety please read this USER'S MANUAL and follow its instructions carefully.

#### △ Danger

- 1、 Never use the heater where flammable vapors may be present, there is danger of explosion, fire and burning.
- 2、 Always provide adequate ventilation during the use. Only use the appliance in well ventilated area, the air must be regular exchanged during the use (two times/one hour ) , inadequate burning caused by oxygen shortage can cause carbon monoxide poisoning.
- 3、 Minimum ventilation requirements: When the appliance is used in inner room, make sure the room space is no less than 140 m<sup>3</sup> and the average air-circulation opening area is no less than 350cm<sup>2</sup>
- 4、 When gas leakage happens, firstly cut off the gas supply resource, then open all ventilation equipments, use more fan to dilute the leak out gas, ( attention : do not use equipment which can cause sparkles when the leakage gas was not adequate diluted. )
- 5、 Do not put the machine in basement or use it under ground level, to avoid danger.

#### △ Warning

- 1、 The appliance shall not be directed towards the gas cylinder
- 2、 Don't use spay products at the location where the heater is used , the gas from the spay tin can cause danger of fire and explosion.
- 3、 Don't use the appliance in place with combustible powder ( wastepaper, wood crumbs, fibre scraps ) , if these powder are sucked in the heater and heated up,flake and spark may be ejected out and cause fire and burning danger.
- 4、 Never block air inlet or heating part , it can cause abnormal burning and fire.
- 5、 Never modify the heater, alteration may cause malfunction and fire, is very dangerous
- 6、 This appliance is only for heating use in public area, should not be used for household heating.

#### △ Attention

- 1、 In order to prevent fire while in operation, please don't place articles near the heater. Keep all combustible materials away from heater. Minimum clearances: Outlet(front) 2.5M , air inlet(rear)2M , top 2M , side 2M.

- 2、 While in operation , make sure that the ground surface does not overheat , overheating may cause fire.
- 3、 Do not fill fuel tank while heater is in operation, make sure the heater stopped and the flame extinguished before you fill the tank. Filling while in operation may result causing fire.
- 4、 Before use the appliance, make sure that the voltage and frequency on site is in accordance with the ones shown on rating plate
- 5、 Not to be used for the heating of habitable areas of domestic premises; for use in public buildings, refer to national regulations
- 6、 Don't expose the appliance to rain or snow, never use it in humidity places either. Pull out the plug before the routine maintenance and examination.

△ Cleaning and maintenance

- 1、 Keep the unit clean and remove the dust. Clean the unit at least once a year. Use damp clothe to clean if it's too dirty.
- 2、 Let the appliance checked by customer service center once a year.
- 3、 Keep the appliance far away from inflammable objects.
- 4、 When the appliance will not be in use for a long time, please : remove the plug from the outlet and gas supply pipe from the appliance , then put a protection cover on the inlet pipe connection and place the appliance in a dustproof bag, then put it in a cool and dry ort out of the reach of child. Before you put the appliance in use again, make sure the fan works well and no inflammable material is attached to the unit.
- 5、 the need for isolating the appliance from the cylinder by means of the cylinder isolating valve when not in operation

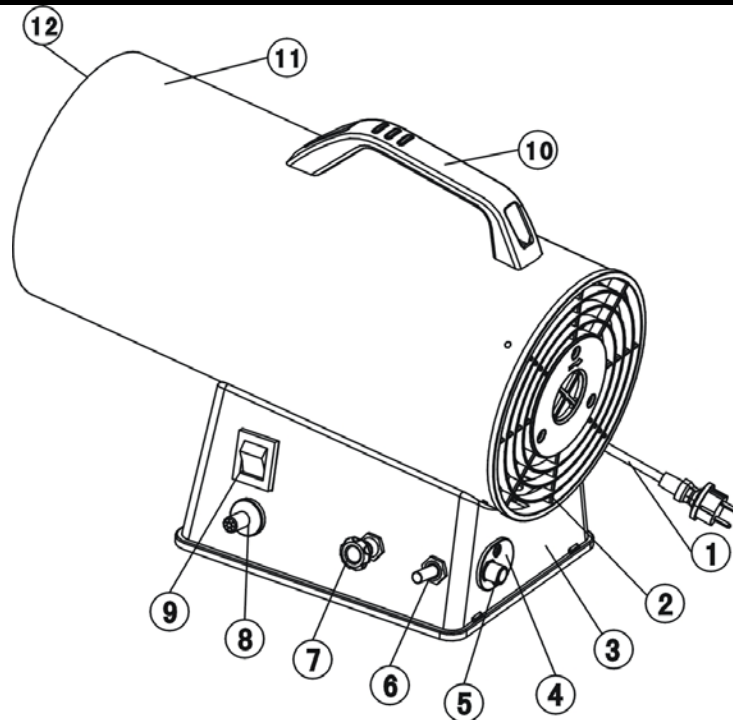
***Warning: do not disassemble the appliance unless authorized by the supplier; do not clean or repair the unit when it's hot, or still in use, or the flexible pipe is not removed, or the plug is not pulled out from the socket yet. Danger of scalding or electric shock!***

Page 3

**Brief Introduction of Products**

- 1 , This heater is a direct fired air heater, it incorporates a fan motor to increase air circulation and enhance the oxygen supply to ensure the effective gas burning. It warms up the room as a space heater. By adopting the method of direct fired air heating, it can achieve high heat input while keeps the energy consumption.
- 2 , This product incorporates a multifunctional electromagnetic control device which enables power shutoff-, flame failure- and overheating protections. The three kinds of protections prevent the gas leakage and potential carbon monoxide poisoning and fire danger induced by gas leakage.
- 3 , A gas rate adjustment valve is installed in this product, so the heat input can be regulated to fulfill variable requirements at different locations.

**Overview of Appliance**

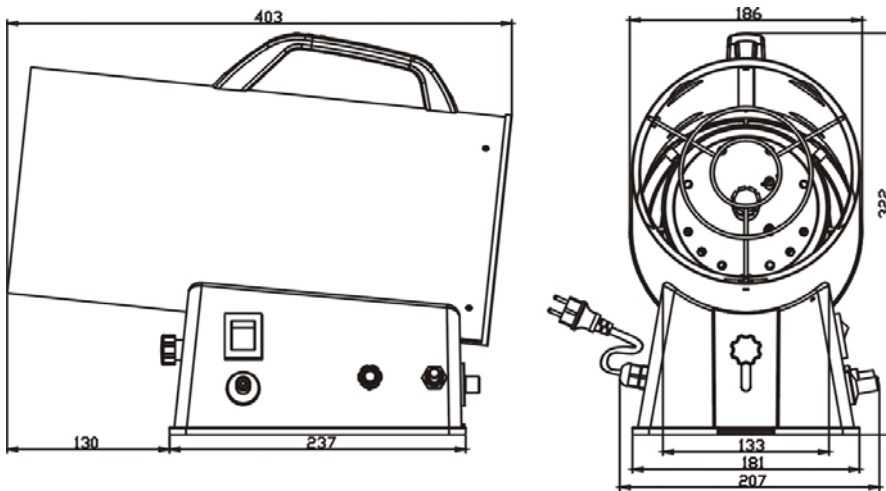


1、 Power Cord 2、 Fan Guard 3、 Base 4、 Fixation Nut for Gas Inlet  
5、 Protection Guard 6、 Flameout Protector 7、 Plastic Knob 8、 Igniter

9、 Power Switch

Page 4

## Dimensions



## Technical Data

Gas category	Gas pressure	Rated voltage	Motor power input	Max. gas consumption	Max. heat input	Hot air output
G30-I3B/P	0.5bar	230V 50Hz	25W	0.74Kg/h	10KW	300m <sup>3</sup> /h





Tighten the connector according to the arrowhead direction



tighten the connector according to the arrowhead direction



open the gas supply tap according to the arrowhead direction

**Operation Instructions**

- 1、 Prepare a full cylinder gas according to the heating requirements
  - ( The gas container specification: no special requirements, the user can choose a proper container according to

heating requirements and the gas consumption on marking label or consult the gas supplier. )

- 2、 Connect one end (with pressure adjusting valve) of the gas hose to gas cylinder, tighten the connector nut to make sure no gas leakage happens and open the gas tap. ( Figure 1 )
- 3、 Put the heater on a stable working underground, take away the protection guard from the machine , connect the other end of gas hose with machine and tighten the locking connector nut to ensure the soundness of the gas inlet. ( Figure2 )
- 4、 Turn-on the gas container knob ( Figure3 )
- 5、 Make sure the machine is proper connected with the gas cylinder and the power switch is at the “OFF ( O ) ”position , plug the power plug in the socket outlet, shut on the power switch ( put the power switch at the “ON ( 1 ) ”position ) . ( Figure 4 )
- 6、 When the turning of the fan blades becomes stable , use the right hand to push the aluminum handspike of the flameout protector and keep for 10 seconds, then use the left hand to press the igniter button for ignition.after the gas ignites keep on pressing the handspike for another 10 seconds then release the right hand and the gas will burn continuously. ( Figure 5 )
- 7、 Turn the adjustment knob to regulate the flame length and make it comply with the corresponding heat input. ( Figure 6 )
- 8、 Repeat the above 2-7 steps when the machine runs out of gas and a new full



put the power switch at position“1”



ignite



Adjust flame magnitude

cylinder is to be replaced. ( witch shall be undertaken in a flame-free atmosphere )

**Attention :**

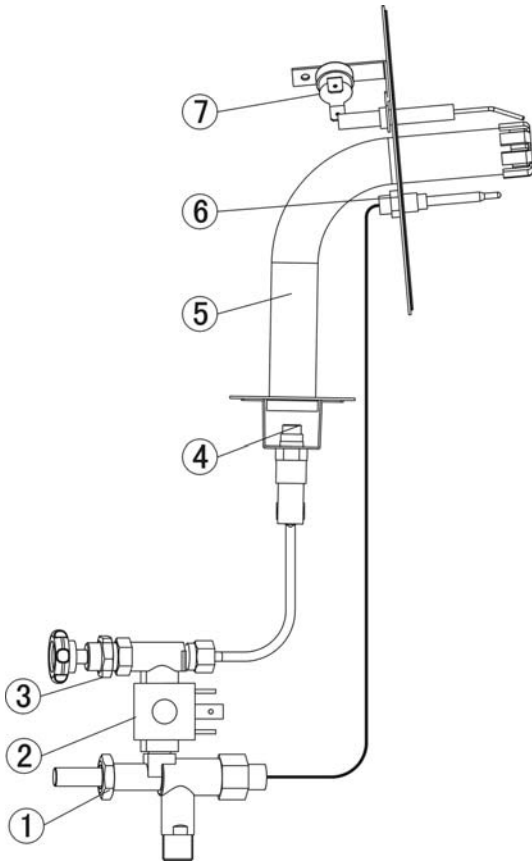
- 1、 When you operate the machine according to the above procedures and the heater doesn't operate correctly after three times ignition, never try to ignite again under this condition. There is explosion danger caused by high gas concentration ! contact your dealer in time to clear the reason of malfunction.
- 2、 During the use try not to bend the flexible pipe to prevent the break of the pipe and the danger of gas leakage.
- 3、 Always equip the correct size of pressure adjusting valve and gas hose when using the heaters,( size of pressure adjusting valve: pressure  $P_u=700\text{mbar}\pm 70\text{mbar}$ . Flow volume  $Q_n=1.5\text{kg/h}$ )
- 4、 For the length of the flexible tube you may consult your gas supplier. A length with 1.5mis recommended , the type of the flexible pipe can be : 6.3mm High Pressure LPG Hose BS3212-Class

*2/EN1763-1-Class 3-20Bar propane/butane or of higher standards.*

5. The maximum allowable cylinder size is 10kg.

Page 7

## Gas Supply Circuit



### Working principles

When the machine is connected to the gas supply, the gas passes in sequence the following parts :

1, flameout protector

2, electromagnetic

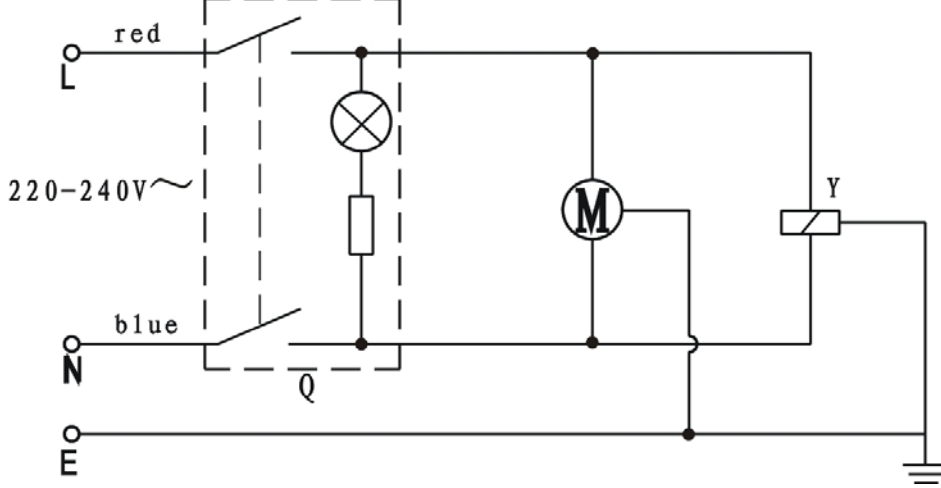
valve 3, gas rate adjustment valve 4, gas nozzle 5, being

ignited by the high-voltage spark plug and burning at the burning head. 6, current occurs in the thermocouple due to

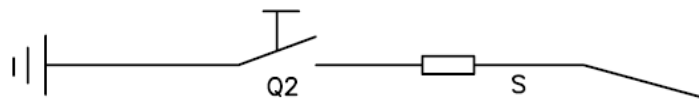
the heat output by gas burning. 7, the thermostat activates a electric circuit to enable the small electromagnetic valve in the flameout protector magnetizing the armature of flameout protection valve , the gas passes through and burns continuously.

Item	Parts name
1	Flame failure protector
2	Electromagnetic valve
3	Adjustment valve
4	Gas nozzle
5	Burner Assembly
6	Thermocouple
7	Thermostat

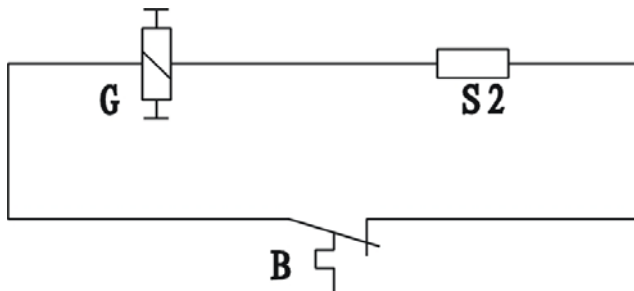
**Electric Circuit**



Motor, electromagnetic valve circuit



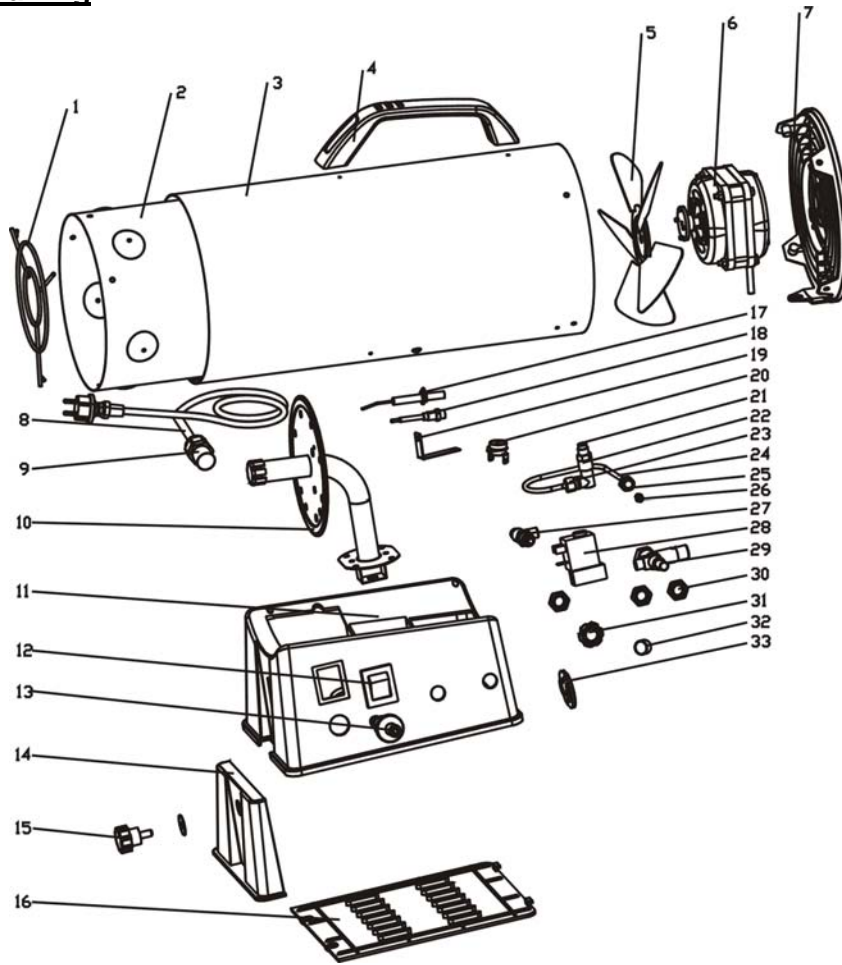
Ignition circuit



Flameout protection circuit

B : thermostat G : integral electromagnetic valve in the flameout protector M : fan motor Q  
 : power switch Q2 : igniter S : ignition needle  
 S2 : thermocouple Y : electromagnetic valve

**Exploded Parts Drawing**



Parts name  
item

name

- |   |                             |
|---|-----------------------------|
| 1 | Front Grid                  |
| 2 | Inner Shell                 |
| 3 | Outer Shell                 |
| 4 | Plastic Handle              |
| 5 | Fan Blade $\phi 172$ 19°    |
| 6 | Motor 25W 230V/50-60Hz IP44 |
| 7 | Fan Guard                   |
| 8 | Power Cord                  |

item	name
9	Cord Fixation
10	Burner Assembly
11	Base
12	Power Switch
13	Igniter
14	Height Controller
15	Round Blot
16	Base Cover
17	Ignition Needle
18	Thermocouple
19	Thermostat clip
20	Head Thermostat operation temperture 85°C
21	Gas Nozzle
22	Nozzle Seat
23	Fixation Nut M8
24	Fuel Tube
25	Fixation Nut G1/8
26	Obturating Ring
27	Adjustment Valve
28	Electromagnetic Valve
29	Flameout Protector
30	Fixation Nut M12×P1.0
31	Plastic Knob
32	Protection Guard
33	Fixation Nut for gas inlet

### **Requires a Hose and Regulator**

- 1、 In order to use more safety and to keep the machine well working, Please follow below requirements to operate, make sure to buy the right regulator and hose for this machine. regulator specification: enter press 2.5-16Bar / out press 700mbar+70mbar Flux : 1.5Kg/h
- 2、 The nut which in one end of the hose connected with machine specification is G1/4L maintenance of the appliance.

### **Maintenance of The Appliance**

- 1、 After the connections of flexible pipes and valves and before the use of the appliance the user can check the soundness with liquid mixture of soap and water. In case bubble happens, which indicates that there is leakage, readjust the unit. Without bubbles, you may begin to use the unit.
- 2、 The user shall choose the proper pressure-release valve according to the working pressure indicated on the marking label.
- 3、 Examine the burning after the unit was ignited, the normal flame is blue and it won't get out of the front cover, the flame on the burn head is stable and the full circle has equal shape. Not being like this, there is something wrong with the burning.
- 4、 When the appliance is used under unsafe circumstances, at least a professional person shall be assigned to supervise the operation, to keep the appliance away from inflammable objects at any time. And after the service wait until the appliance cools down to ambient temperature before leaving. It's strictly forbidden to use the appliance in a place without adequate ventilation.
- 5、 A list of spare parts available : no spar parts and attachments are supplied when the appliance leaves factory, in case of need please enquiry and purchase the parts from your gas supplier or your dealer.
- 6、 When the gas container insulation valve failed and the gas supply can not be shut off normally, first turn off the power switch, then pull out the plug, send the unit together with the flexible pipe, gas container to gas supplier for repair.  
( attention: do not lose the flexible pipe connection. ) .

### **Warning of local regulations**

For issues not mentioned in this manual please consult your gas supplier for help. Use the appliance according to the local law requirements.

Page 12

### **Troubleshooting Guide**

<b>Problem</b>	<b>Possible Cause</b>	<b>Solution</b>
Fan does not turn when electricity is connected	1.No electric power to heater  2. Blades of fan in contact with heater Housing  3. Fan blades bent 4. Fan motor defective	1.Check current at outlet. If voltage is correct, inspect extension and power cords for cuts, frays or breaks 2.Check housing for damage. Be sure there are no dents in the housing obstructing the fan 3. Straighten all fan blades 4. Replace Motor Assembly
Heater will not fire (ignite)	1.No spark at ignition needle  2.Incorrect spark gap	1.Inspect ignition needle wire. Re-attach, or tighten if loose. Inspect ignite, and replace if necessary. 2.Set plug gap to 0.28" (7mm)

Heater stops running by itself	<ol style="list-style-type: none"> <li>1. Temperature inside heater is too high, causing thermal switch to shut down operation</li> <li>2. Damaged thermocouple</li> <li>3. Damaged flameout protector</li> <li>4. Dust or debris accumulated in heater</li> </ol>	<ol style="list-style-type: none"> <li>1. If heater input or output is restricted, the inside temperature can become too hot. Keep the areas in front and behind heater clear of obstructions</li> <li>2. Replace thermocouple</li> <li>3. Replace flameout protector</li> <li>4. Clean inside of heater</li> </ol>
--------------------------------	--	---

NINGBO ZHENSHENG ELECTRIC APPLIANCES CO.,LTD  
 NO.18 WEI ER ROAD,FANSHI INDUSTRIAL AREA, LONGSHAN TOWN,CIXI CITY NINGBO,CHINA  
 Telephone 0574-63711528  
 Fax 0574-63711518

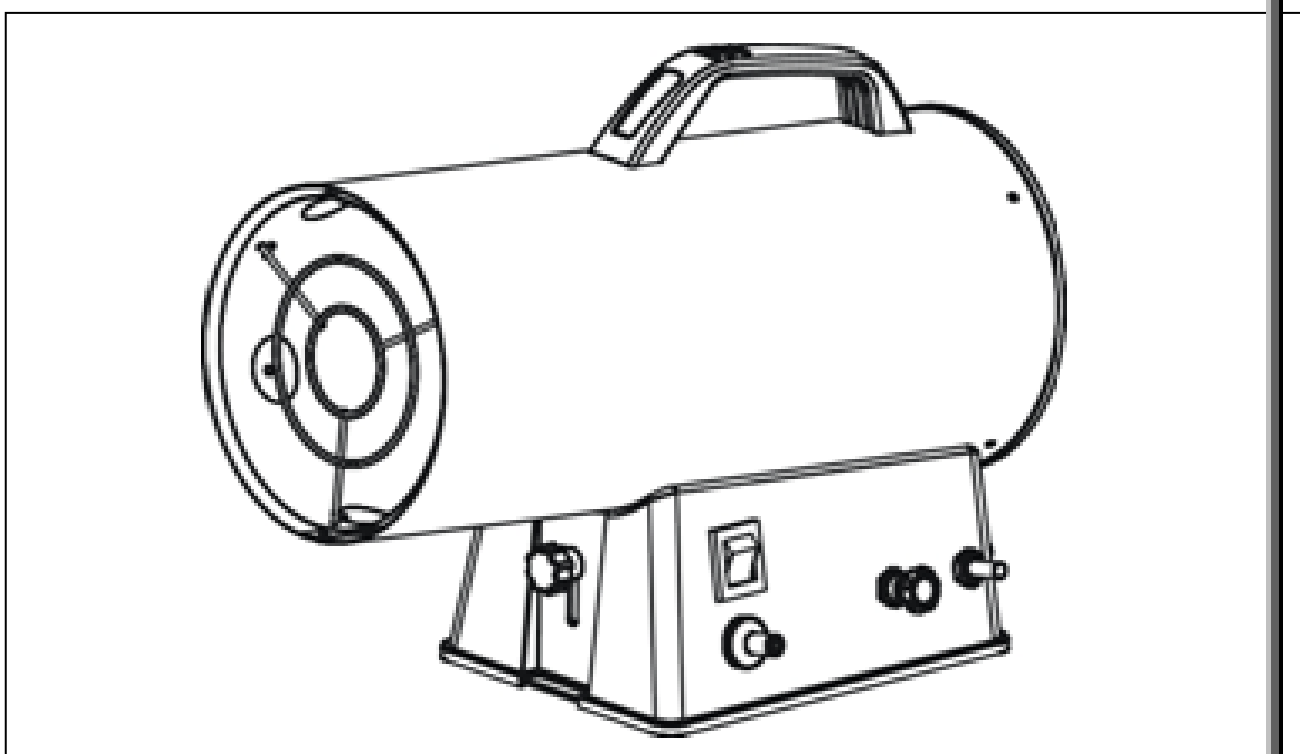


**Nestekaasukäyttöinen rakennuslämmitin**

**10 kW**

**ZSG101**

**SUOMENKIELINEN KÄYTTÖOHJE**



**Arvoisa asiakas,**

kiitämme tuotteemme valinnasta. Olemme iloisia voidessamme tuotteemme kautta tarjota teille palveluitamme. Olkaa hyvä ja lukekaa tämä käyttöohje huolellisesti läpi ennen rakennuslämmittimen käyttöönottoa. Noudattakaa käyttöohjeen antamia ohjeita ja määräyksiä laitteen käytössä. Säilyttäkää tämä käyttöohje myöhempää tarvetta varten. Tarvittaessa ottakaa yhteyttä jälleenmyyjään.

**VAROITUS!**

Varmista aina rakennustuulettimen ollessa käytössä, että ilmanvaihto on riittävän tehokasta ja säilytä herkästi syttyvät aineet vähintään 2,5 metrin etäisyydellä rakennuslämmittimestä.

# SISÄLLYSLUETTELO

1.	Turvallisuuden liittyvät varoitukset.....	2, 3
2.	Tuotteen esittely.....	4
3.	Rakennuslämmittimen osat.....	5
4.	Fyysiset mitat.....	6
5.	Tekniset tiedot.....	5
6.	Käyttöohjeet.....	7
7.	Kaasunsyöttö.....	9
8.	Sähköinen piiri.....	10
9.	Rakennekuva.....	11
10.	Osat.....	11
11.	Letku ja paineensäädin.....	12
12.	Huolto.....	12
13.	Paikallisten määräysten noudattaminen.....	12
14.	Vianmääritys.....	13

## Turvallisuuteen liittyvät varoitukset

Oman ja muiden turvallisuuden takaamiseksi ole hyvä ja lue tämä käyttöohje huolellisesti läpi ennen rakennuslämmittimen käyttöönottoa.

### VAARA

1. Älä koskaan käytä rakennuslämmittintä tiloissa joissa saattaa esiintyä herkästi syttyviä kaasuja tai höyryjä. Käyttö mainitun kaltaisissa olosuhteissa muodostaa räjähdys- ja/tai tulipalovaaran.
2. Muista aina varmistaa lämmitettävän tilan riittävä ilmanvaihto. Käytä rakennuslämmittintä vain hyvin tuuletetuissa tiloissa. Lämmitettävän tilan ilma tulee vaihtua tilavuutta vastaavalla määrällä raikasta ilmaa kahdesti tunnin aikana. Mikäli korvausilman määrä on liian matala nestekaasupolttimen liekki palaa epätäydellisesti, josta voi seurata lämmitettävän tilan hiilimonoksidipitoisuuden kasvu vaaralliselle tasolle.
3. Vähimmäisvaatimuksena voidaan todeta, että rakennuslämmittintä sisätiloissa käytettäessä tilan pitää olla tilavuudeltaan vähintään 140 m<sup>3</sup> ja korvausilmaa sisään huonetilaan päästävän aukon tai venttiilin pinta-alan tulee olla vähintään 350 cm<sup>2</sup>.
4. Mikäli kaasua pääsee vuotamaan sisätiloihin sulje kaasunsyöttö välittömästi ja avaa kaikki mahdolliset ilmanvaihtoaukot, ikkunat, ovet ja vastaavat. Älä käytä sähkökatkaisimia. Tarvittaessa voit käyttää tuuletuksen tehostamiseen sähkökäyttöistä tuuletinta mutta tuulettimen tulee olla ei-kipinöintiä tuottavalla moottorilla varustettua mallia.
5. Rakennuslämmittintä ei saa asentaa tai käyttää kellaritiloissa tai maanpinnan alapuolella sijaitsevilla tiloissa. Nestekaasu painuu alaspäin koska se on ominaispainoltaan painavampaa kuin ilma.

### VAROITUS

1. Rakennuslämmittimen lämmitysilmalähtö tulee aina suunnata POISPÄIN kaasupullosta.
2. Älä käytä spray-tuotteita tilassa jossa rakennuslämmittintä käytetään, spray-kaasut aattavat muodostaa räjähdys- ja/tai tulipalovaaran.
3. Älä käytä rakennuslämmittintä tiloissa joissa voi esiintyä herkästi syttyviä raemaisia tai silppumaisia materiaaleja kuten jät-paperia, puupuruja, kuitujätteitä jne.. Mikäli mainitun tyyppiset materiaalit imeytyvät rakennuslämmittimen sisään ne kuumentuvat ja voivat aiheuttaa kipinöivien hiukkasten ryöpyä puhallusilmassa josta voi seurata tulipalovaara.
4. Älä koskaan peitä rakennuslämmittimen aukkoja tai lämmitinosaa koska rakennustuuletin kuumentuu tällöin liikaa, josta voi seurata tulipalovaara.
5. Älä muokkaa rakennuslämmittimen rakenteita, muutokset voivat aiheuttaa vian tai vaaran.
6. Tämä rakennuslämmitin on tarkoitettu vain julkisten tilojen lämmittämiseen, sitä ei tule käyttää yksityisten kotitalouksien lämmittämiseen.

### HUOMAUTUS

1. Älä sijoita esineitä tai materiaaleja rakennuslämmittimen lähelle sen ollessa käytössä. Pidä kaikki herkästi syttyvät materiaalit riittävän etäällä rakennuslämmittimestä. Vähimmäisetäisyydet

rakennuslämmittimeen: ulostulopää 2,5 m, sisäänottopää 2m, yläsuunta 2 m, sivut 2 m.

2. Käytön aikana varmista, että rakennuslämmittimen kohdalla oleva alusta (maa, lattia tai muu tukipinta) ei pääse kuumentumaan liikaa. Kuumuus voi pahimmillaan sytyttää tulipalon.

3. Älä täytä polttoainesäiliötä rakennuslämmittimen ollessa käytössä lähellä tankkauspistettä. Varmista, että rakennuslämmitin on pois päältä ja että lämmittimen liekki on sammunut ennen kuin ryhdyt täyttämään säiliötä.

4. Varmista ennen rakennuslämmittimen käyttöä, että sähkönsyötön jännitetaso ja taajuus vastaavat rakennuslämmittimen laitekilvessä olevaa vaatimusta.

5. Älä käytä rakennuslämmittintä kotitalous- tai asumistilojen lämmittämiseen. Käytön julkisissa tiloissa tulee täyttää paikalliset viranomais määräykset.

6. Älä altista rakennuslämmittintä sateelle tai lumisateelle, äläkä koskaan käytä rakennuslämmittintä kosteissa paikoissa. Muista aina irrottaa verkkopistoke ennen kuin ryhdyt huoltamaan tai tutkimaan rakennuslämmittintä.

### **PUHDISTUS JA HUOLTO**

1. Pidä rakennuslämmitin puhtaana ja puhdista pölyt pois. Puhdista rakennuslämmitin vähintään kerran vuodessa. Käytä kosteaa kangasta mikäli lika on pinttynyt.

2. Tarkistuta rakennuslämmittimen kunto ja turvallisuus valtuutetussa huoltoliikessä vähintään kerran vuodessa.

3. Säilytä rakennuslämmitin etäällä herkästi syttyvistä materiaaleista ja esineistä.

4. Jos rakennuslämmittintä ei aiota käyttää pitempään aikaan irrota verkkopistoke seinästä ja kaasuletku rakennuslämmittimestä. Aseta suojatulppa kaasuletkun tuloliittimen päälle ja aseta rakennuslämmitin pölytiiviseen suojapussiin ja aseta rakennuslämmitin kuivaan viileään paikkaan ja varmista, että lapset eivät pääse siihen käsiksi. Ennen kuin otat rakennuslämmittimen käyttöön uudelleen varmista, että sen tuuletin toimii moitteettomasti ja että rakennuslämmittimeen ei ole kiinnitettyä mitään herkästi syttyviä materiaaleja.

5. Sulje kaasunsyötön venttiili aina kun rakennuslämmitin ei ole käytössä.

### **VAROITUS**

Älä yritä purkaa rakennuslämmittintä ellei valmistaja toisin erikseen näin neuvo tekemään. Älä yritä puhdistaa tai korjata rakennuslämmittintä sen ollessa vielä käytön jäljiltä kuuma tai sen ollessa vielä käytössä tai kun joustavaa letkua ei ole irrotettu tai verkkopistoketta ei ole otettu irti seinävastakkeesta. Muutoin on olemassa palovammojen tai sähköiskun vaara.

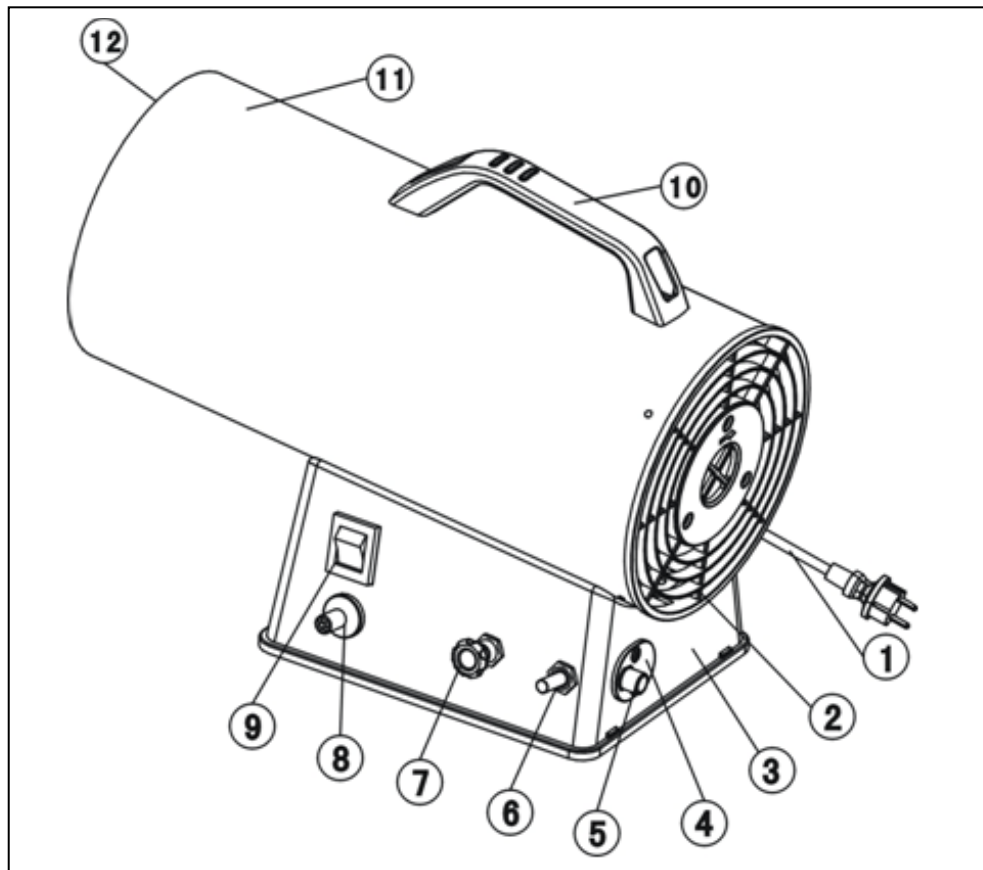
## 2. Tuotteen esittely

1. Tämä rakennuslämmitin on suoravaikutteinen lämmitettävään ja puhallettavaan ilmaan perustuva lämmitin, joka sisältää sähkömoottorin pyörittämän tuulettimen. Tuuletin tehostaa ilmankiertoa ja tehostaa hapen saantia paloprosessiin mikä takaa tehokkaan palamisen. Rakennuslämmitin on tilalämmitin. Toteutuksensa ansiosta sen kaasunkulutus on pieni riippumatta hyvästä lämmitystehokkuudesta.

2. Tämä tuote sisältää monitoimintoisen sähkömagneettisen valvontalaitteen, joka sisältää virrankatkaisun, liekin tunnistuksen ja ylikuumentumissuojan toiminnot. Kolme erityyppistä suojaustoimintoa tunnistavat kaasuvuodot ja mahdollisen hiilimonoksidimyrkytyksen vaaran sekä tulipalovaaran joka aiheutuu kaasun vuotaessa järjestelmästä.

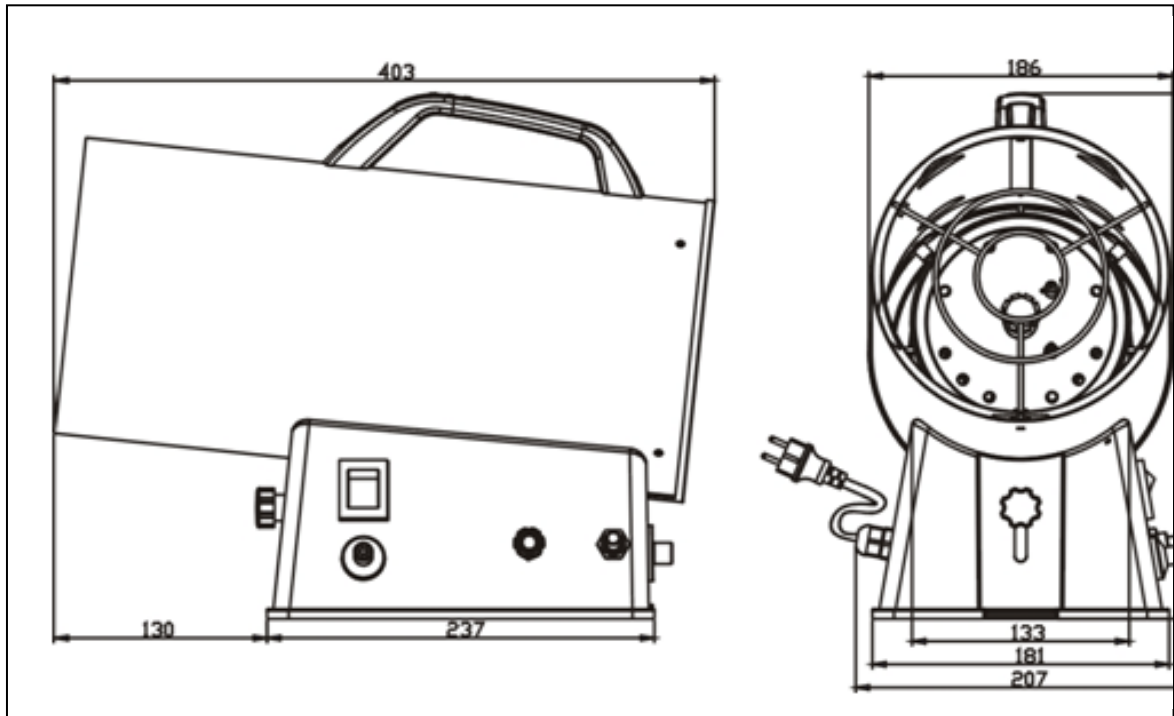
3. Tähän tuotteeseen on asennettu erillinen kaasun virtaussäädin. Tämän säätimen avulla käyttäjä voi säätää lämmitystehoa eri olosuhteiden vaatimusten mukaan.

### 3. Rakennuslämmittimen osat



1. Virtajohto
2. Tuulettimen ritilä
3. Tukijalusta
4. Kiinnitysmutteri kaasuletkuliitännälle
5. Suojavahti
6. Liekkivahti
7. Muovinen nuppi
8. Sytytin
9. Virtakytkin
10. Muovikahva
11. Ulkokuori
12. Ilman ulostulon ritilä

#### 4. Fyysiset mitat



#### 5. Tekniset tiedot

Kaasutyyp <i>i</i>	Kaasunpaine	Nimellisjännite	Moottorin teho	Maksimi kaasunkulutus	Maksimi lämmitysteho	Kuumailmatuotto
G30-I3B/P	0.5 bar	230 V 50Hz	25 W	0.74 kg/h	10 kW	300 m <sup>3</sup> /h



## 6. Käyttöohjeet

1. Hanki käyttöön täysi nestekaasupullo, jonka kaasutyyppi ja paine vastaa rakennuslämmittimen vaatimuksia (kts. kappale 5 *Tekniset tiedot* edellisellä sivulla). Muita erityisvaatimuksia ei ole.
2. Liitä kaasuletkun paineensäätimen sisältävä pää kaasupullon venttiiliin ja kiristä liittimen mutteri kaasuvuotojen riskin välttämiseksi (kts. Kuva 1).
3. Aseta rakennuslämmitin tukevalle tasaiselle alustalle, ota suojalaite irti rakennuslämmittimestä. Liitä kaasuletkun toinen pää rakennuslämmittimeen ja kiristä liittimen lukitus-mutteri kaasuliitännän tiiviyden varmistamiseksi (kts. Kuva 2).
4. Käännä kaasupullon venttiili auki (kts. Kuva 3).
5. Varmista, että rakennuslämmitin on liitetty kunnolla kaasupulloon ja tarkista, että virtakytkin on asennossa OFF (0) (pois päältä). Kytke virtajohdon pistoke seinävastak-keeseen, kytke virtakytkin ON (I) asentoon (päälle) (kts. Kuva 4).
6. Kun tuulettimen potkurin pyörimisnopeus on tasaantunut vakioksi työnnä oikealla kädellä liekkiavahtia ja pidä alaspainettuna 10 sekunnin ajan ja sitten vasemmalla kädellä paina sytytinpainiketta. Kun kaasuliekki on syttynyt jatka sytytinpainikkeen painamista noin 10 sekunnin ajan ja vapauta sitten oikean käden hallinnassa ollut liekkiavahti, jonka jälkeen kaasuliekin pitäisi palaa tasaisesti (kts. Kuva 5).
7. Säädä säädintä siten, että kaasuliekin voimakkuus on sopiva ja vastaa haluttua lämmitystehoa (kts. Kuva 6).
8. Toista vaiheet 2 - 7 kun kaasupullo on tyhjentynyt ja sinun täytyy vaihtaa tilalle uusi kaasupullo. Huomaa, että kaasupullon vaihto tulee tehdä vain silloin, kun rakennuslämmittimen kaasuliekki on täysin sammunut.



Kiristä liittimen mutteri nuolen osoittamaan suuntaan



Kiristä liittimen mutteri nuolen osoittamaan suuntaan



Avaa kaasupullon venttiili nuolen osoittamaan suuntaan



Aseta virtakytkin päälle asentoon "I"



Sytytä kaasuliekki



Säädä liekin koko/teho

## HUOMAUTUS!

1. Jos rakennuslämmittintä yritetään käyttää edellä kuvatulla tavalla eikä lämmittimen kaasu-liekki syty kolmella peräkkäisellä sytytyskerralla, ei sytytystä pidä yrittää enää uudelleen. Kaasua on päässyt virtaamaan ohi polttimen tässä vaiheessa niin paljon että lisäyritykset muodostavat riskin räjähdykselle. Tuuleta tila ja ota yhteys valtuutettuun huoltoon rakennuslämmittimen kunnan selvittämiseksi.

2. Joustavia kaasuletkuja ei saa taivutella rakennuslämmittimen ollessa käytössä. Turha taivuttelu saattaa vaurioittaa letkua ja aiheuttaa kaasuvuodon.

3. Rakennuslämmittimen yhteydessä tulee käyttää asianmukaisesti mitoitettua paineensää-töventtiiliä sekä viranomaishyväksytyjä kaasuletkuja.

**Ohje:**  $P_u = 700 \text{ mbar} \pm 70 \text{ mbar}$  / Virtaustilavuus  $Q_n = 1,5 \text{ kg/h}$

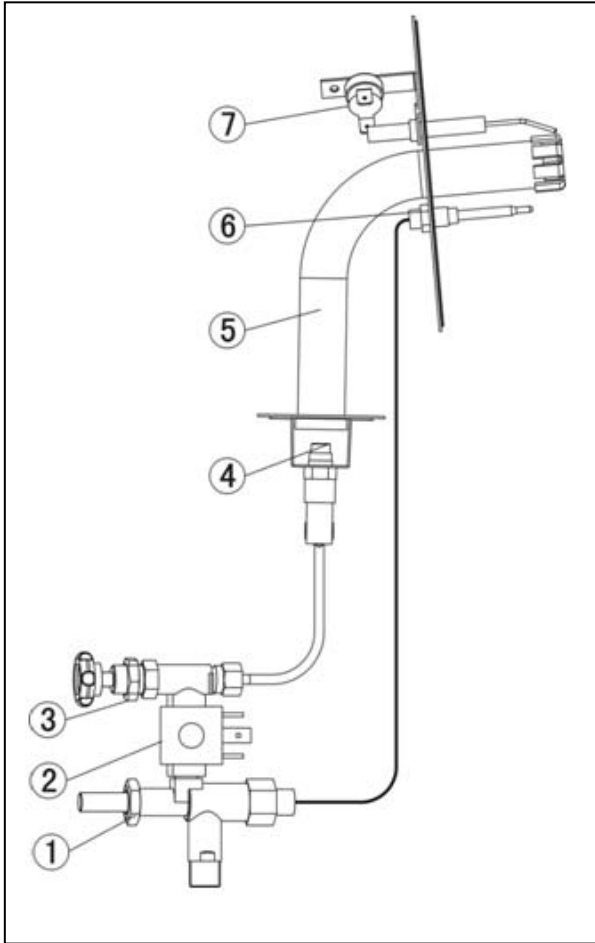
4. Joustavan kaasuletkun pituus riippuu asennuksesta mutta nestekaasukäyttöisille laitteille on olemassa turvamääräyksiä joissa kaasuletkun maksimipituus on määritetty 1,5 metriin. Kaasuletkun tulee olla viranomaishyväksyttyä tyyppiä (kaasuletkussa on asianomaiset merkinnät hyväksynnästä) ja kaasuletkun käyttöikä ei saa olla ylittynyt (kaasuletkujen kumin hapertuminen mm. otsonin vaikutuksesta aiheuttaa yli-ikäisen letkun tapauksessa riskin murtumista ja niistä aiheutuu kaasuvuotoja).

5. Suurin sallittu kaasupullon koko on 10 kg.

## LISÄKOMMENTTEJA

**Ohje:** 6,3 mm High Pressure LPG Hose BS3212-Class 2/EN1763-1-Class 3 - 20Bar propane/butane tai parempi

## 7. Kaasunsyöttö



Osa #	Osan nimi
1	Liekkivahti
2	Sähkömagneettinen venttiili
3	Säätöventtiili
4	Kaasusuutin
5	Poltinkokoonpano
6	Termoelementti
7	Termostaatti

### Toimintaperiaate

Kun rakennuslämmitin on liitetty kaasupulloon kaasu virtaa järjestyksessä seuraavien osien läpi:

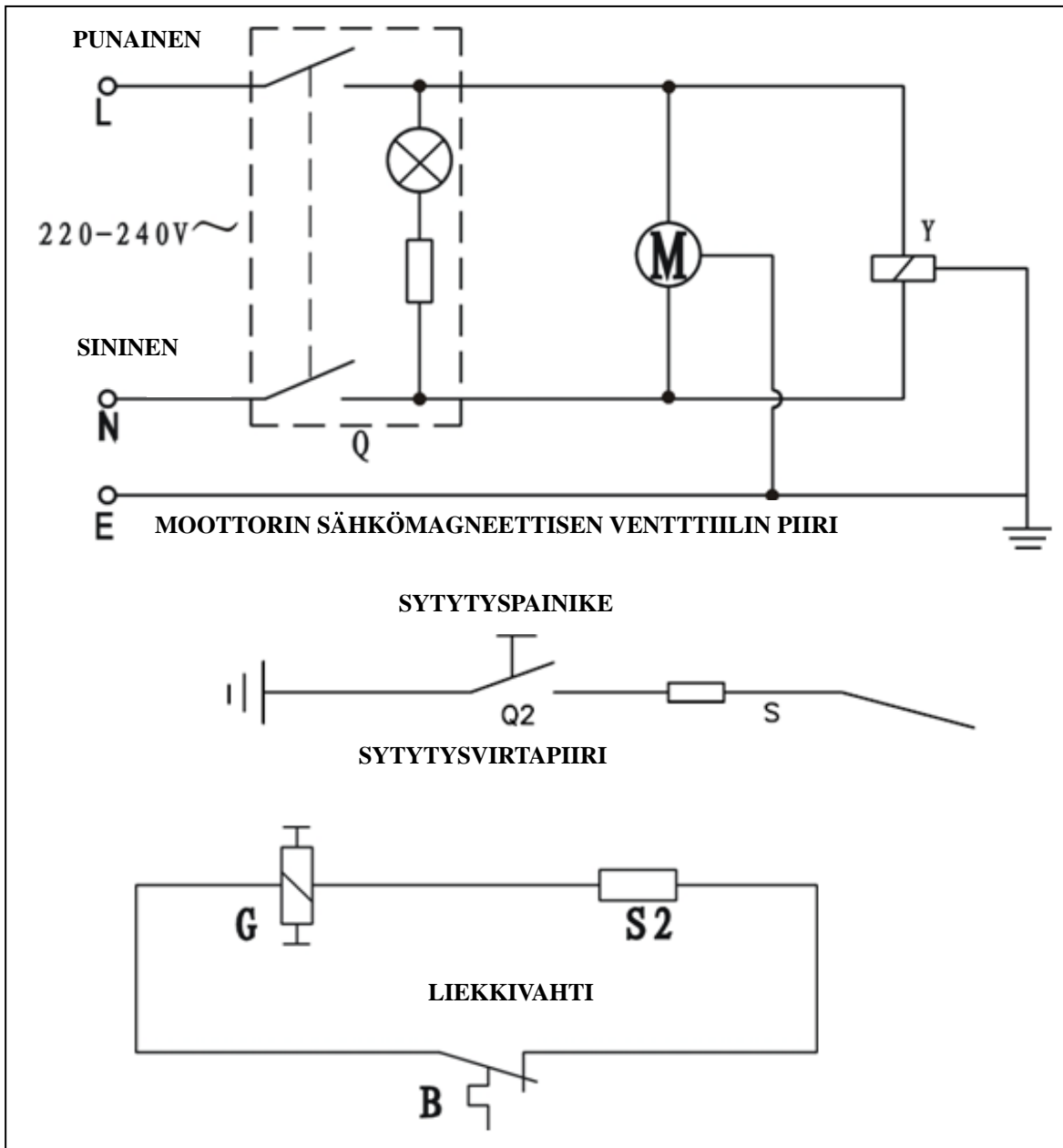
**Liekkivahti → Sähkömagneettinen venttiili → Säätöventtiili → Kaasusuutin → Poltinkokoonpano → Termoelementti → Termostaatti**

Kaasuliekki sytytetään korkeajännitesytytytulpan avulla.

Termoelementissä muodostuu sähkövirtaa kaasuliekin kuumuuden ansiosta.

Termostaatti aktivoi sähköisen piirin avulla ja ohjaa pientä sähkömagneetista venttiiliä liekkivahdissa ja magnetoi liekkivahdin suojaventtiilin ankkurikäimityksen, kaasu virtaa järjestelmän läpi ja palaa jatkuvasti.

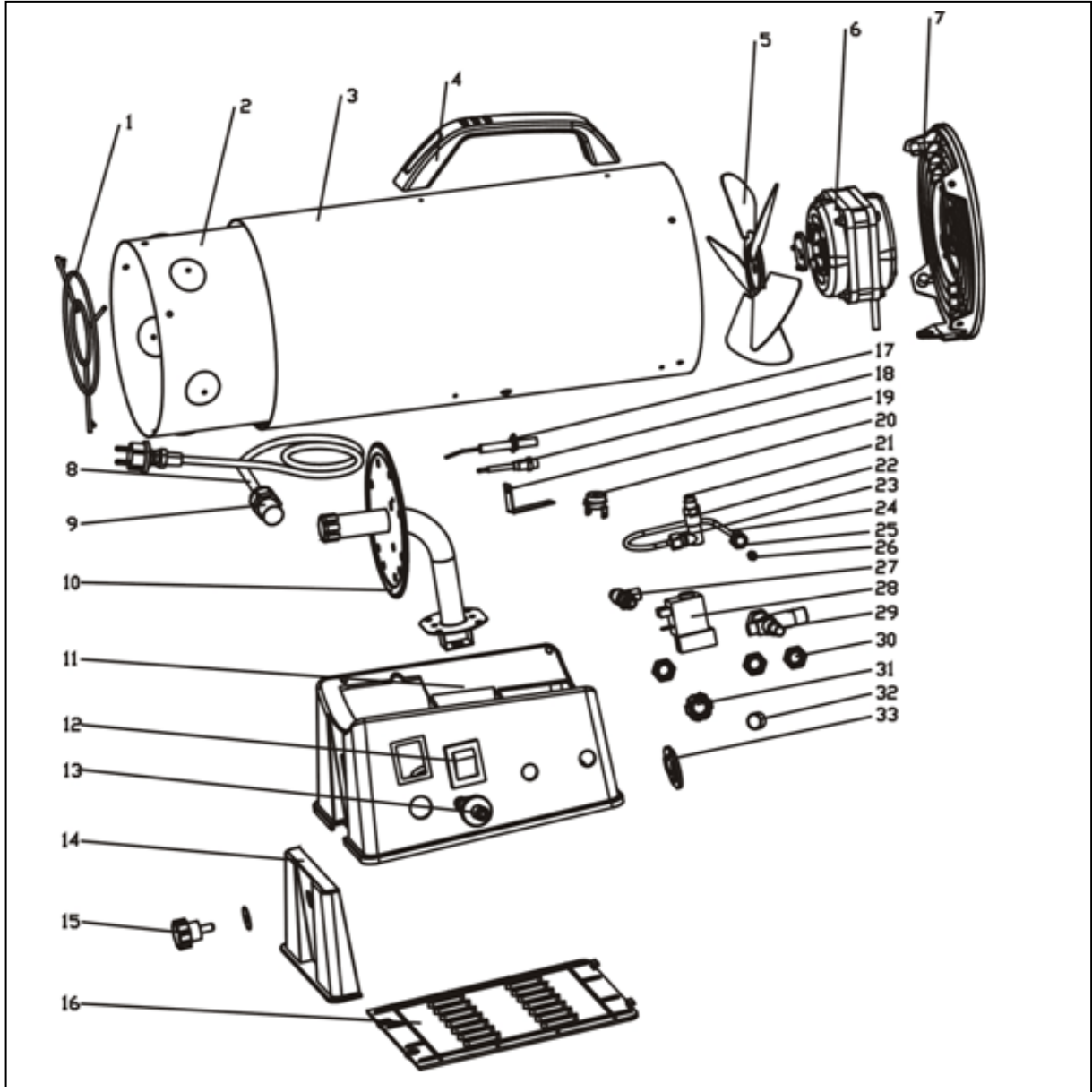
## 8. Sähköinen piiri



### LIEKKIVAHDIN OSAT

B	Termostaatti
G	Sisäänrakennettu sähkömagneettinen venttiili liekkivahdissa
M	Tuuletinmoottori
Q	Virtakytkin
Q2	Sytytin
S	Sytytystulppa
S2	Termoelementti
Y	Sähkömagneettinen venttiili

## 9. Rakennekuva



## 10. Osat

1	Eturitilä	19	Termostaatin klipsi
2	Sisäkuori	20	Päätermostaatti @ 85°
3	Ulko kuori	21	Kaasusuutin
4	Muovikahva	22	Suuttimen kanta
5	Tuulettimen potkuri Ø 172 mm 19°	23	Kiinnitysmutteri M8
6	Moottori 25 W 230V/50-60Hz IP44	24	Kaasuletku
7	Tuulettimen ritilä	25	Kiinnitysmutteri G1/8
8	Virtajohto	26	Tiivisterengas
9	Johd	27	Säätöventtiili
10	Poltinkokoonpano	28	Sähkömagneettinen venttiili
11	Jalusta	29	Liekkivahti
12	Virtakytkin	30	Kiinnitysmutteri M12 x P1.0
13	Sytytin	31	Muovinuppi
14	Korkeuden säätö	32	Suoja
15	Sormiruuvi	33	Kiinnitysmutteri kaasun tuloliitäntään
16	Jalustan kansi		
17	Sytytysneula		
18	Termolementti		

## 11. Letku ja paineensäädin

1. Rakennuslämmittimen käyttö edellyttää sopivan paineensäätimen ja letkun käyttämistä.

Ohje: syöttöpaine 2.5 - 16 Bar / lähtöpaine 700 mbar  $\pm$  70 mbar / kulutus 1,5 kg/h

2. Mutteri jolla letkuliitäntä kiristetään on G1/4L.

## 12. Huolto

1. Ennen kuin rakennuslämmitin otetaan käyttöön tulee tarkistaa letkujen ja liitäntöjen tiiviys (vuotamattomuus). Tämä tapahtuu saippuavesiliuoksen avulla. Sivele saippuavesiliuosta letkuihin ja erityisesti kaikkiin liitäntöihin. Mikäli vuotoja on, ne näkyvät kuplintana saippuavesiliuoksessa. Tarvittaessa korjaa vuotavat liitännät ja tarkista uudelleen. Kun kuplintaa ei ole havaittavissa voit käynnistää rakennuslämmittimen.

2. Käyttäjän tehtävänä on valita sopiva ylipaineventtiili laitekilvessä mainitun työpaineen perusteella.

3. Tarkista polttimon toiminta kun rakennuslämmitin on ensin sytytettyä, normaaliliekin väri on sininen eikä liekki ulotu etureunan tasalla, liekki palaa tasaisesti ja muodostaa ympyränmuotoisen alueen. Jos näin ei ole, paloprosessissa on joku vika.

4. Jos rakennuslämmittintä käytetään turvallisuuden kannalta kyseenalaisissa tiloissa tai ajankohtana, tulee varata yhksi ammattimainen henkilö valvomaan rakennuslämmittimen toimintaa ja varmistamaan että kukaan ei tuo asiattomia herkästi syttyviä aineita rakennuslämmittimen lähelle. Kun rakennuslaite sammutetaan tulee valvovan henkilön odottaa paikan päällä kunnes lämmittimen lämpötila on laskenut normaaliksi. On ehdottomasti kiellettyä käyttää rakennuslämmittintä tiloissa joissa tuuletus on puutteellinen.

5. Rakennuslämmittimen mukana ei toimiteta irrallisia varaosia tai muita vastaavia, jos tarvitset jotakin pyydämme ottamaan yhteyttä tekniseen tukeen, jälleenmyyjään tai maahantuojaan.

6. Jos kaasupullon pääventtiili on pettänyt eikä kaasunsyöttöä ole mahdollista sulkea normaalilla tavalla toimi seuraavasti: kytke virta pois päältä, vedä verkkopistoke seinästä ja lähetä rakennuslämmitin sekä joustavat letkut, kaasupullo ja kaasuntoimittaja.

## 13. Paikallisten määräysten noudattaminen

Tässä käyttöohjeessa mainitut tapaukset poislukien pyydämme ottamaan yhteyttä kaasuntoimittajaan. Käytä rakennuslämmittintä käyttöohjeen mukaisesti.

## 14. Vianmääritys

Ongelma	Mahdollinen syys	Ratkaisu
Tuuletin ei toimi vaikka sähkö on liitetty	<ol style="list-style-type: none"> <li>1. Sähkönsyöttö puuttuu.</li> <li>2. Tuulettimen potkurin lavat osuvat kuoreen.</li> <li>3. Potkurin lavat vääntyneet.</li> <li>4. Tuulettimen moottorissa vikaa.</li> </ol>	<ol style="list-style-type: none"> <li>1. Tarkista sähkönsyöttö. Jos verkkojännite on oikean suuruinen ja toimii tarkista virtajohto ja mahdolliset jatkojohdot mahdollisten vaurioiden osalta. Jatkojohdoteleissa voi olla lämpösulake, tarkista että sulakkeet eivät ole lauenneet ja nollaa tarvittaessa.</li> <li>2. Tarkista kuoren kunto. Varmista, että kuoreessa ei ole painaumia tai vääntymiä jotka estävät potkurin pyörimistä.</li> <li>3. Suorista potkurin lavat.</li> <li>4. Vaihda moottorikokoonpano.</li> </ol>
Lämmittimen liekki ei syty	<ol style="list-style-type: none"> <li>1. Sytytystulppa ei tuota kipinää.</li> <li>2. Väärä sytytystulppatyyppi.</li> </ol>	<ol style="list-style-type: none"> <li>1. Tarkista sytytystulpan kunto. Asenna uudelleen, kiristä jos löysä, tarkista kipinän muodostuminen ja vaihda tarvittaessa tilalle uusi sytytystulppa.</li> <li>2. Aseta sytytystulpan rakoväli oikeaksi (7 mm / 0.28")</li> </ol>
Lämmitin pysähtyy itsestään	<ol style="list-style-type: none"> <li>1. Lämpötila rakennuslämmittimen sisällä on liian korkea.</li> <li>2. Vahingoittunut termoelementti.</li> <li>3. Vahingoittunut liekkivahti.</li> <li>4. Rakennuslämmittimen sisälle on kertynyt pölyä ja roskia.</li> </ol>	<ol style="list-style-type: none"> <li>1. Jos rakennustuulettimen otto- tai antopää on tukossa tai aukkojen edessä on esteitä rakennuslämmittimen voi kuumentua liikaa. Raivaa riittävästi vapaata tilaa rakennuslämmittimen ympärille.</li> <li>2. Vaihda termoelementti.</li> <li>3. Vaihda liekkivahti.</li> <li>4. Puhdista rakennuslämmittimen sisäosat.</li> </ol>

### VALMISTAJA

NINGBO ZHENSHENG ELECTRIC APPLIANCES CO.,LTD  
 NO.18 WEI ER ROAD, FANSHI INDUSTRIAL AREA, LONGSHAN TOWN, CIXI CITY NINGBO, CHINA  
 Puhelin 0574 - 63711528  
 Fax 0574 - 63711518



•  
Sunwind Gylling AS • Postboks 64 • N-1309 RUD • Norge  
Rudssletta 71-75 • N-1351 RUD • Norge  
(+47) 67 17 13 70  
post@sunwind.no

Sunwind Gylling AB • Vendevägen 90 • S-182 32 DANDERYD • Sverige  
(+46) 8-544 98 994

Sunwind Gylling OY • Niemeläntie 4. • Kaarina  
FIN-20780  
(+358) 20 1102 600